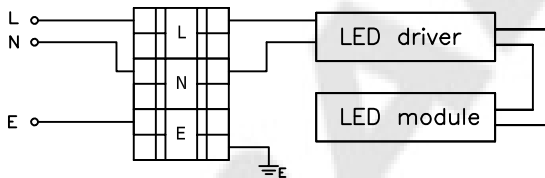
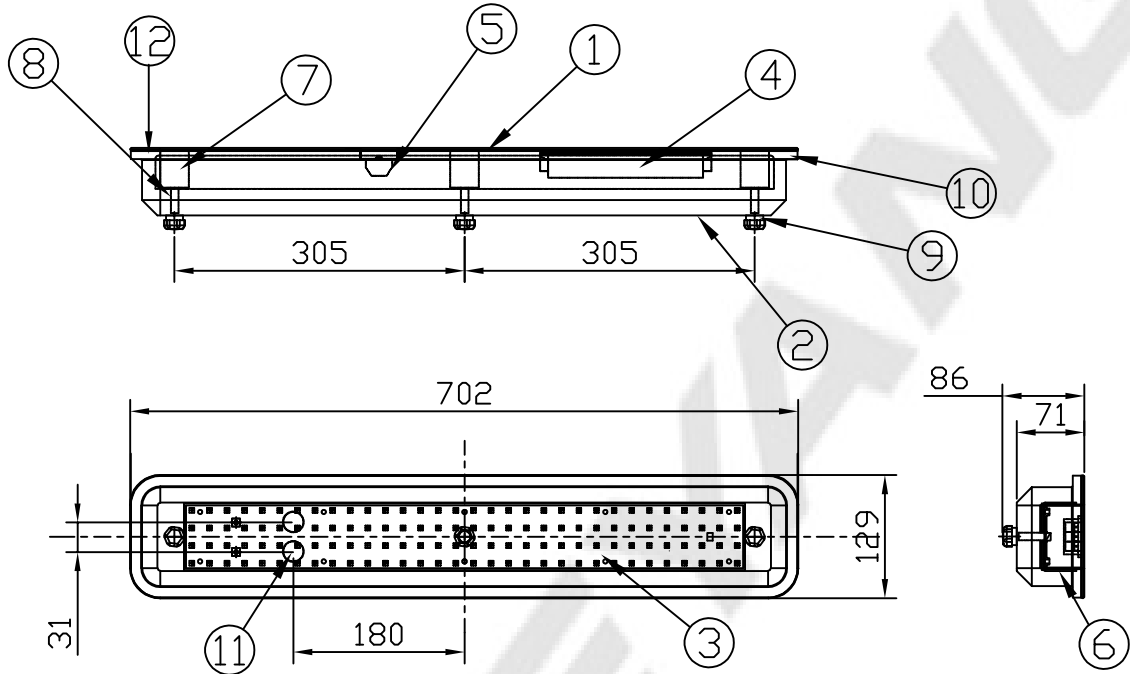
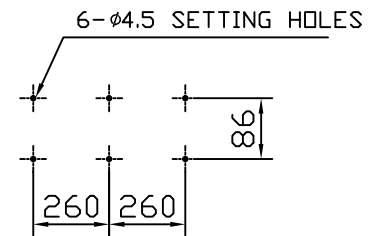


CAPACITY	SYMBOL / SERIAL NO.	CIRCUIT DIAGRAM
AC100-240V, 50/60Hz		
25W		



CIRCUIT DIAGRAM



SETTING DIMENSION

*** CAUTION**
 When cleaning globe, please wipe clean with a damp cloth.
 Do not use thinner or (organic) solvent.

*Front part of the Ceiling light after installation satisfies IP56.

12	RUBBER SPONGE	EVA	1		6	LED module BRACKET	ALUMINIUM	1	
11	CABLE INLET HOLES	EPDM	2	GROMMETS	5	TERMINAL BLOCK	-	1	CLAMPING 3P
10	PACKING	SILICONE	1		4	LED driver	-	1	
9	RESIN COVER BOLT	STAINLESS STEEL304	3	M5	3	LED module	-	1	5,000K
8	SUPPORT	BRASS	3		2	GLOBE	POLYCAR-BONATE	1	
7	BODY BRACKET	STAINLESS STEEL304	3		1	BODY	STAINLESS STEEL316L	1	
NO	NAME OF PARTS	MATERIAL	Q'TY	REMARKS	NO	NAME OF PARTS	MATERIAL	Q'TY	REMARKS

APPROVED	B. K. KIM	UNIT	MM
CHECKED	W. J. JI	SCALE	N/S
DRAWING	B. I. KIM	COLOR	N-9.3
DATE	2015.12.04	IP	56

TITLE;
**LED CEILING LIGHT
 (THIN SURFACE TYPE)
 FOR MARINE USE**

	MODEL NO.	LEB125WS-0550UTHQC50-USPH	WEIGHT	4 Kg
	DWG NO.	LO1450163	SHEET NO.	2